

T-STATION 75 TURBOMOLECULAR PUMPING STATION

Giving you a clear edge

PRODUCT DATASHEET

The T-Station 75 turbomolecular pumping station seamlessly combines an EXT75DX turbopump with either a dry pump or oil sealed pump and a simple controller, providing pumping speeds of 42 l/s – 61 l/s.

The T-station 75 comes with our new TAG (Turbo and Active Gauge) controller fitted as standard which enables single button start/stop of the system, the ability to control one of our active gauges*, vent valve* control and delayed start of the turbopump to either time or pressure if a gauge is fitted, making the T-station 75 ideal for general laboratory needs.

* Gauges and TAV5 vent valve must be purchased separately.



Compact
Minimal footprint

Fully assembled
No systemisation required

Robust construction
Low cost of ownership

Features and benefits



1 Base plate includes rubber feet and cutouts in the sides for manual handling giving a compact low profile but stable design that can't be knocked over

2 All metal frame means rugged design that can take abuse without cracking or breaking

3 E2M1.5 or XDD1 high capacity backing pumps giving the choice between an oil sealed pump or a totally dry diaphragm pump

4 Integrated air cooler acts to cool internal power supply and pump/controller for quiet operation avoiding multiple fans

5 New custom TAG (Turbo and Active Gauge) controller features:

- Single dedicated button to start and stop pumps for easy automated operation
- Turbo speed as a percentage for easy to read accurate display
- Ability to control one active gauge including APG100, AIM, ASG or WRG and choice of units meaning no extra cost for gauge display
- Delayed turbo start to either time, or where a gauge is fitted to pressure, allows automated start-up for larger systems
- Ability to select vent mode where a TAV5 vent valve is fitted for automated venting with no user intervention

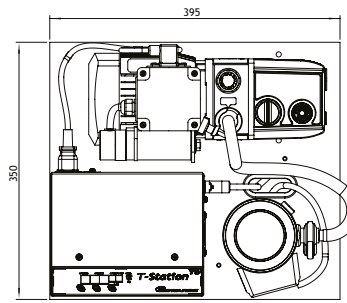
6 Available with either an NW40, ISO63 or CF63 inlet flange to suit your application.

7 TAV5 vent valve can be plugged directly into DX podule and controller allows selection of three modes for maximum flexibility:

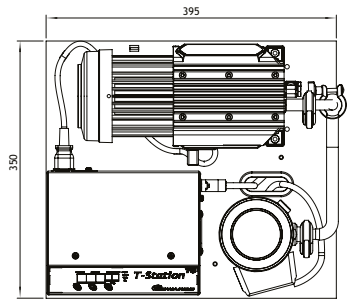
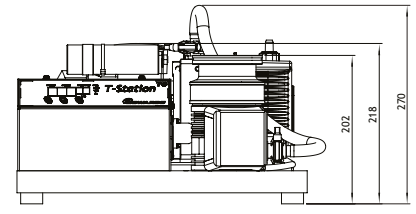
- Controlled vent, from 100% then hard vent at 50% speed
- Hard vent at 50% speed
- Fan (continuous power to socket, for use with an air cooler for remote pump mounting, or where venting is not required for an application)

Technical data and dimensions

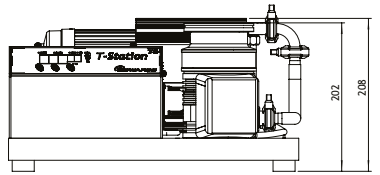
Pumping speed for N₂	
NW40	42 l/s
ISO/CF63	61 l/s
Compression ratio for N₂	>1 x 10 ¹¹
Backing pump speed @50 Hz	
E2M1.5 (TS75W)	1.6 m ³ /hr
XDD1 (TS75D)	1.2 m ³ /hr
Ultimate pressure	<5 x 10 ⁻⁸ mbar
Inlet flange	NW40, ISO63 or CF63
Exhaust flange	
E2M1.5 (TS75W)	11 mm OD nozzle or 3/8" BSP
XDD1 (TS75D)	Fitted silencer or 1/8" BSP
Mass	
E2M1.5 system (TS75W)	21 kg max
XDD1 system (TS75D)	17 kg max
Noise level	56 dB(A)
Leak tightness	<1 x 10 ⁻⁶ mbar l/s
Operating temperature range	12 to 40 °C



T-Station 75W with E2M1.5 backing pump



T-Station 75D with XDD1 backing pump



Ordering information

Product description	Order number	Product description	Order number
T-Station 75W NW40 200-230V	TS75W1001	T-Station 75W NW40 100-120V	TS75W1002
T-Station 75W ISO63 200-230V	TS75W2001	T-Station 75W ISO63 100-120V	TS75W2002
T-Station 75W CF63 200-230V	TS75W3001	T-Station 75W CF63 100-120V	TS75W3002
T-Station 75D NW40 200-230V	TS75D1001	T-Station 75D NW40 100-120V	TS75D1002
T-Station 75D ISO63 200-230V	TS75D2001	T-Station 75D ISO63 100-120V	TS75D2002
T-Station 75D CF63 200-230V	TS75D3001	T-Station 75D CF63 100-120V	TS75D3002
Model EMF3 mist filter for E2M1.5 pump	A46220000	APG100-XLC Active Pirani Gauge NW16	D02603000
TAV5 solenoid operated vent valve	B58066010	APGX-H Active Linear Convection Gauge NW16	D02391000
2m electrical supply cable UK plug 10A	A50505000	AIM-X Active Inverted Magnetron Gauge NW25	D14642000
2m electrical supply cable North European plug	A50506000	WRG-S Active Wide Range Gauge NW25	D14701000
2m electrical supply cable USA/Japan plug	A50507000	0.5m Active Gauge Cable	D40001005
2m electrical supply cable no plug	A50508000	1m Active Gauge Cable	D40001010

Global contacts

EUROPE

UK Crawley +44 1293 528844
 UK (local rate) 08459 212223
 Belgium Brussels +32 2 300 0730
 France Paris +33 1 4121 1256
 Germany Munich 0800 000 1456
 Italy Milan +39 02 48 4471

USA

Niagara (toll free) +1 800 848 9800

BRAZIL

Sao Paulo +55 11 3952 5000

ISRAEL

Qiryat-Gat +972 8 681 0633

ASIA PACIFIC

China (toll free) +86 400 111 9618
 India Pune +91 20 4075 2222
 Japan Yachiyo +81 47 458 8831
 Korea Bundang +82 31 716 7070
 Singapore +65 6546 8408
 Taiwan R.O.C. Jhunan Town +886 3758 1000

Publication Number: TS7500895 issue C
 © Edwards Limited 2015. All rights reserved.
 Edwards and the Edwards logo are trade marks of Edwards Limited.

Whilst we make every effort to ensure that we accurately describe our products and services, we give no warranty as to the accuracy or completeness of any information provided in this datasheet. Edwards Ltd, registered in England and Wales No. 6124750, registered office: Manor Royal, Crawley, West Sussex RH10 9LW, UK